

**Step One:**

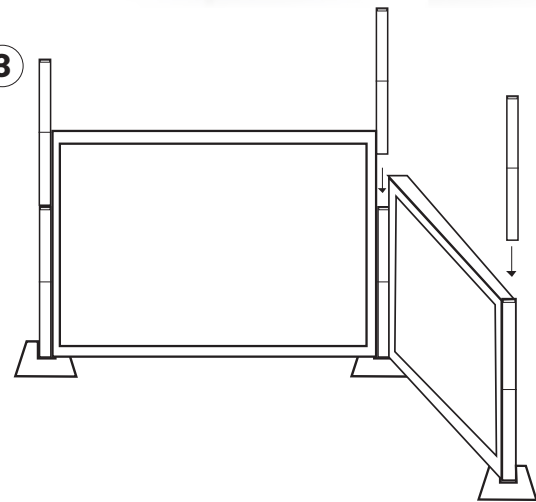
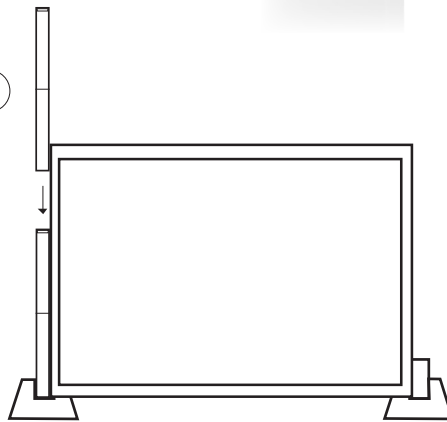
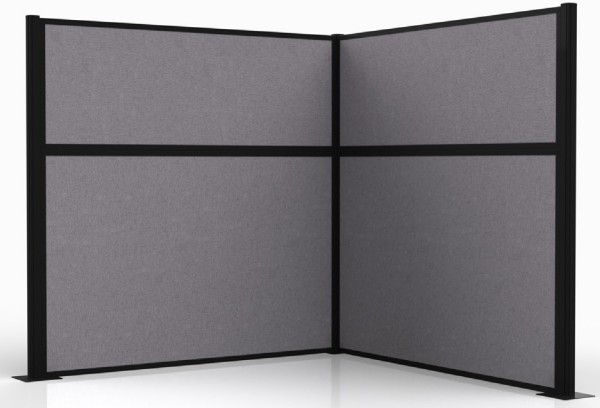
Arrange the feet in place.

**Step Two:**

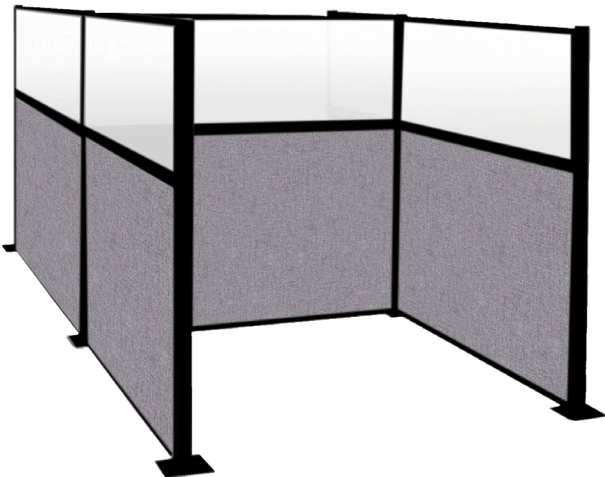
Place the panel between the feet, and slide the posts through the panel and into the feet.

**Step Three:**

Repeat for each additional panel.



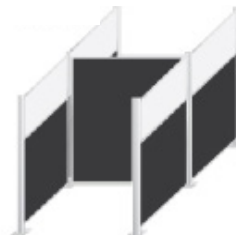
Some of the many possible configurations of the Officeflex. The Officeflex is infinitely expandable, allowing it to grow along with your organization. For questions Call: (855) 960-6020.



Corner (L-Shape)



Single (U-Shape)



Double (H- or W-Shape)