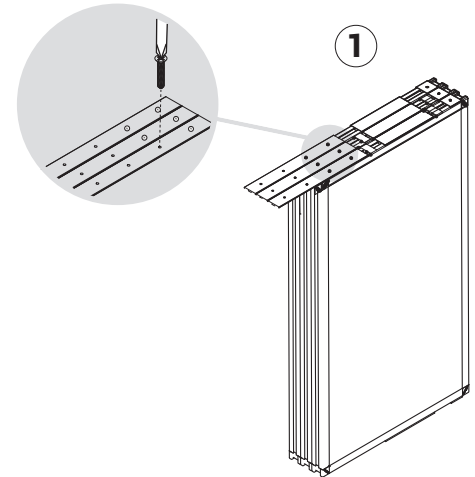


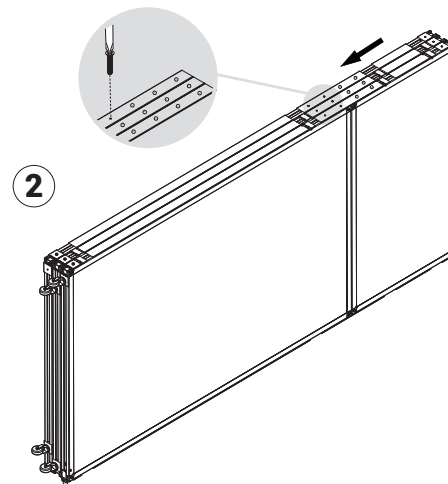
Step 1:

Remove the long bolt from the side of each of the top panels. * Slide first end cap joint into each top panel, leading with end A, front side facing up. Align holes and insert (2) long bolts. Repeat for each panel.



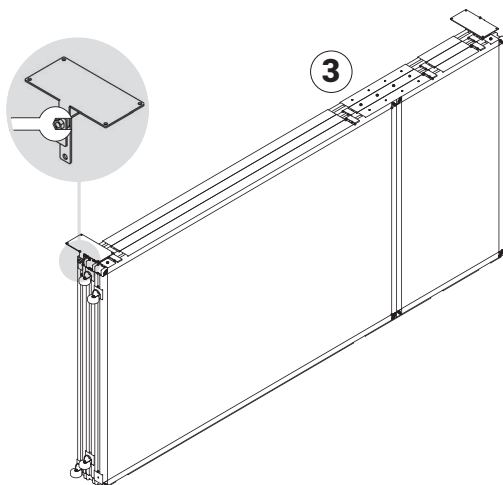
Step 2:

Remove a long bolt from each bottom panel. Align top and bottom panels, positioning the end cap joint so the holes align.* Insert (2) long bolts per end B of the end cap joint on the top panel.



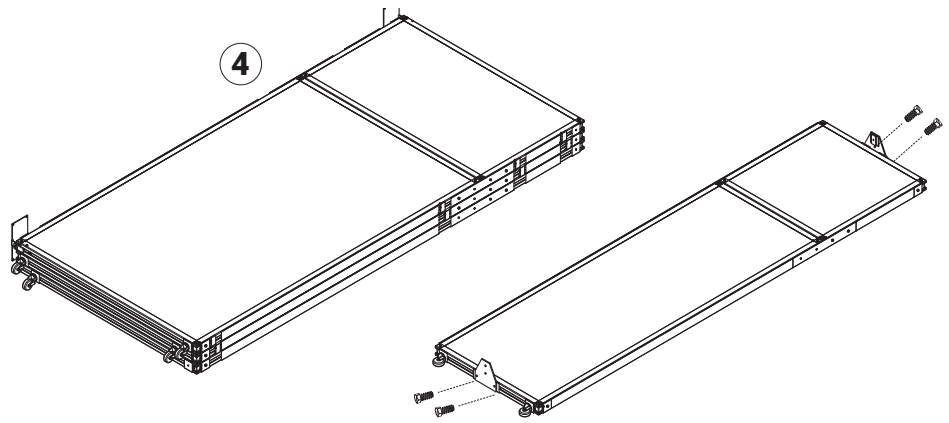
Step 3:

Attach wall-mount hinges using bolts attached to the wall-mount bracket.



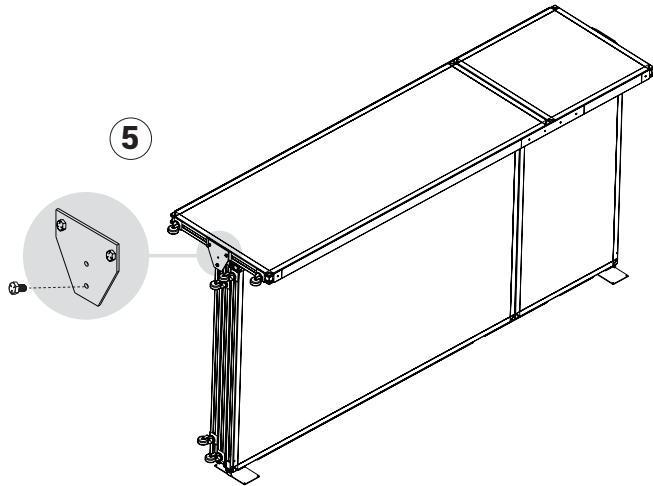
Step 4:

Gently place end panel flat on the ground and attach an end panel plate loosely to the top and bottom using (2) short bolts per plate.



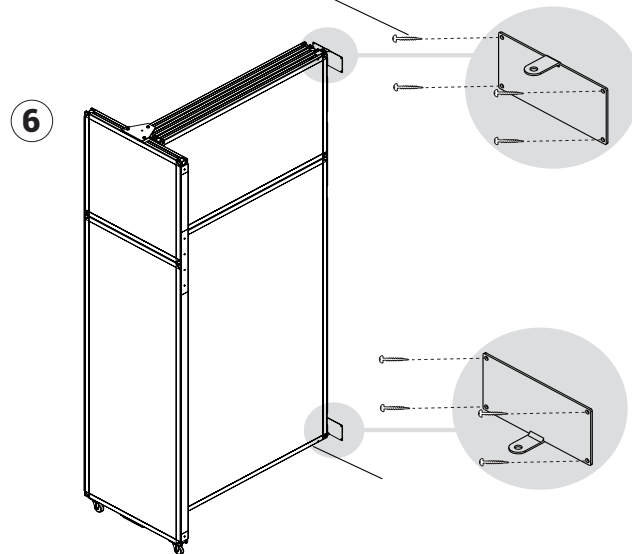
Step 5:

Attach end panel and plates to the main panels using (1) more short bolt for each plate.



Step 6:

Gently lift partition onto its base and screw wall plates to wall with (4) fasteners each.*



* Due to different wall types, fasteners are not included with wall plates. Please evaluate wall material and consult local hardware professional before installing wall plates to wall for a secure installation.