



SCREENFLEX®
PORTABLE PARTITIONS

HAVEN ACOUSTIC PANEL KIT

ASSEMBLY INSTRUCTIONS

FIVE CONFIGURE OPTIONS:

- Flat on ceiling
- Vertical (on edge) on ceiling
- On wall using standoffs
- Freestanding using aluminum foot stand
- Freestanding using multiple panels, connected with clip-on hinges

HARDWARE INCLUDED:

- (COUNT: 1) Panel
- (COUNT: 1) Foot stand
- (COUNT: 6) Cables
- (COUNT: 4) Standoffs
- (COUNT: 2) Hinges (for 2+ panels)

Questions or concerns regarding parts? Please contact us at 1.855.960.6020 or email us at customerservice@screenflex.com
(*Confirm count of all hardware to ensure effective assembly.)

FLAT/VERTICAL ON CEILING

STEP 1.

Push a tube into each of the predrilled holes of your acoustic hanging shape.

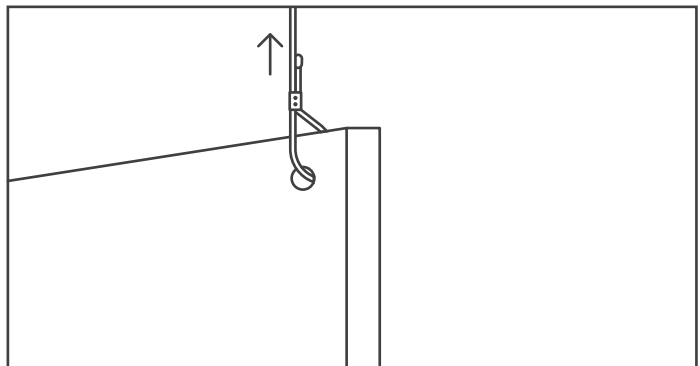
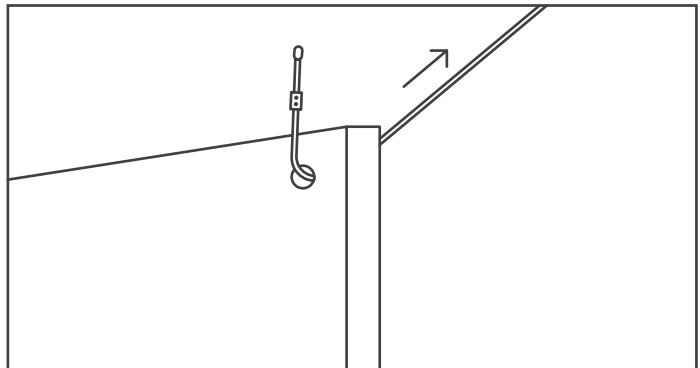
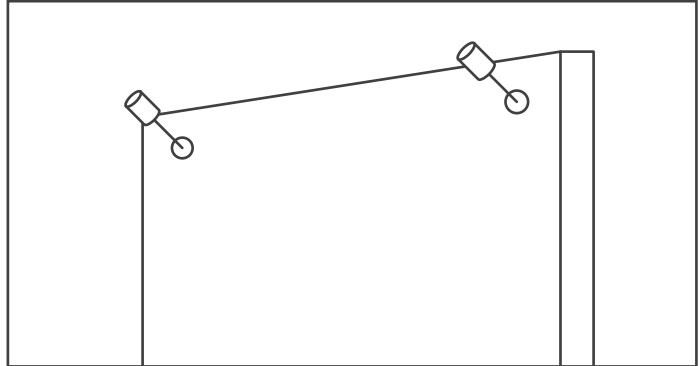
STEP 2.

Place wire clamp on cut end of wire provided and slide to the finished end of the wire (if screws on wire clamp prevent wire from moving through the wire clamp, loosen with a screwdriver). Thread the cut end of wire through the tube.

STEP 3.

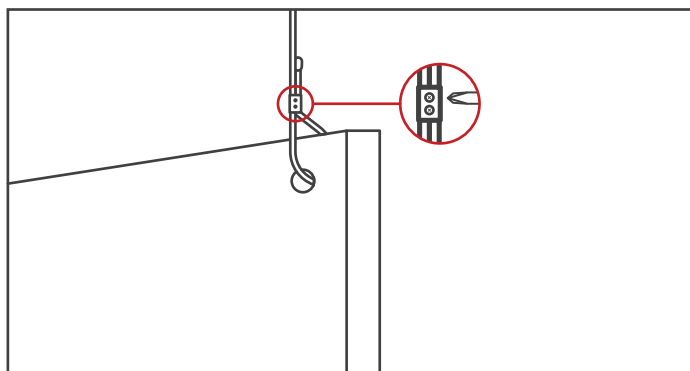
Loop cut end up through wire clamp and adjust slack of wire until desired placement of the clamp is achieved.

Includes: Panel & Cables



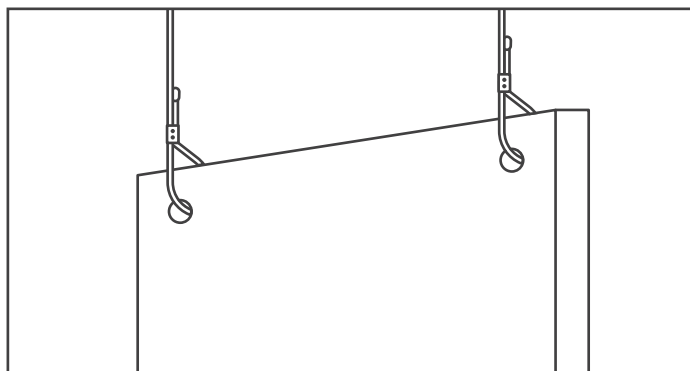
STEP 4.

Tighten wire clamp with two screws inserted into clamp wall.



STEP 5.

Repeat Steps 2-4 for the remaining holes.

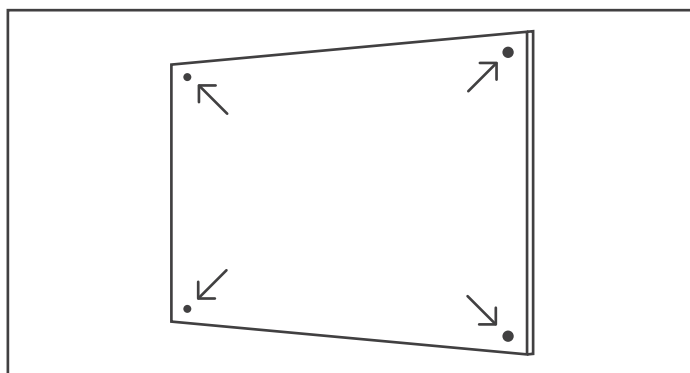


ON WALL USING STANDOFFS

Includes: Panel & Standoffs

STEP 1A.

Position panel on wall using level. Make a mark in each hole on wall for shape(s) before placing anchors and screws.

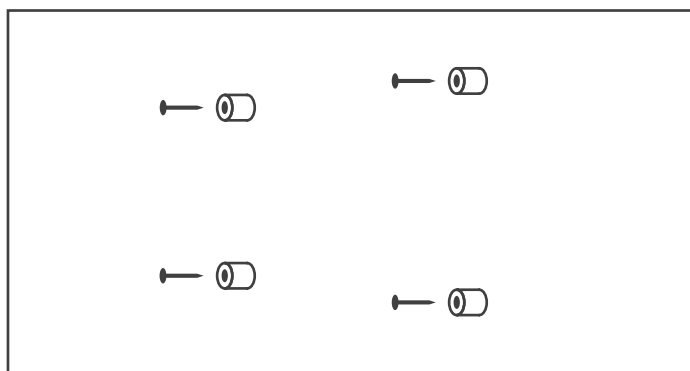


STEP 1B.

Where marks have been applied, install anchors.

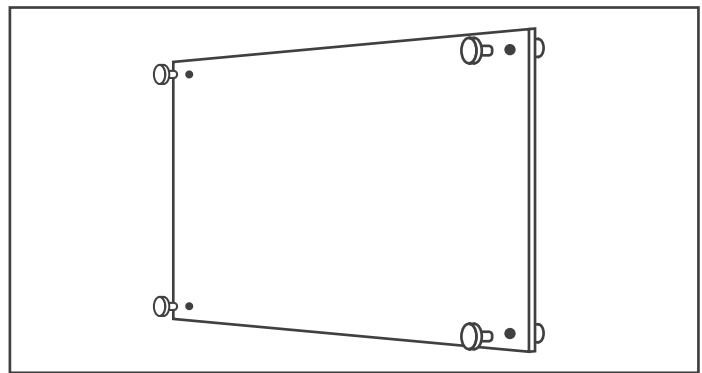
STEP 2.

Place screw into barrel and thread into anchors in places that are marked. Hand tighten until secure.



STEP 3.

Place panel onto the exposed barrels and finish off installation by threading caps into barrels.

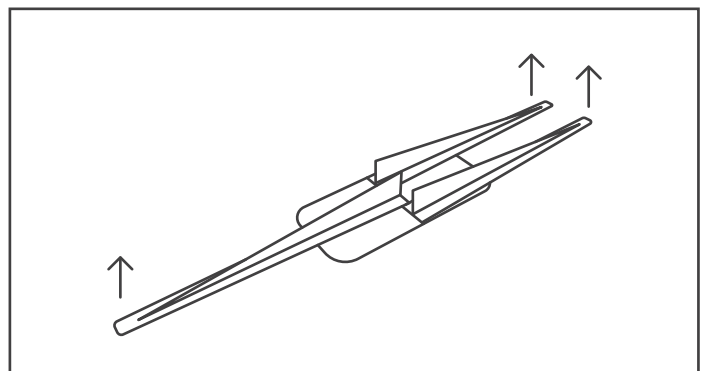


FREESTANDING USING FOOT STAND

Includes: Panel & Foot Stand

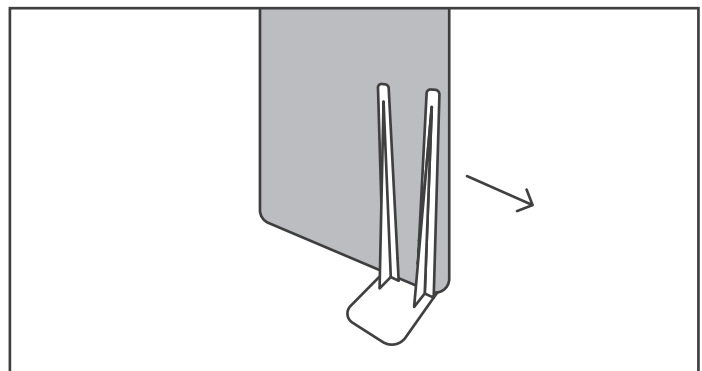
STEP 1.

Place the foot stand on the ground and lift the arms up.



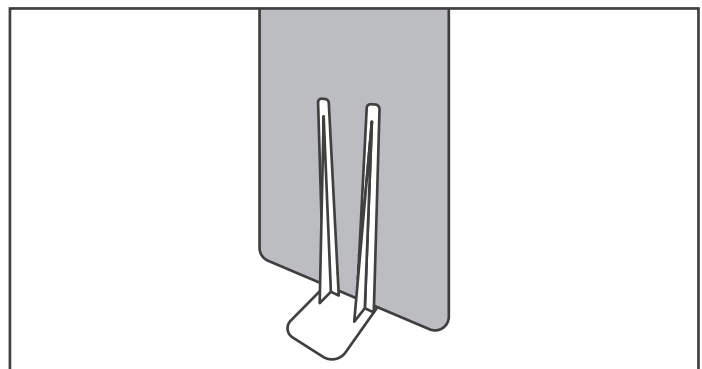
STEP 2.

Slide the panel through the arms; one arm will be on one side and two arms on the other side of the panel.



STEP 3.

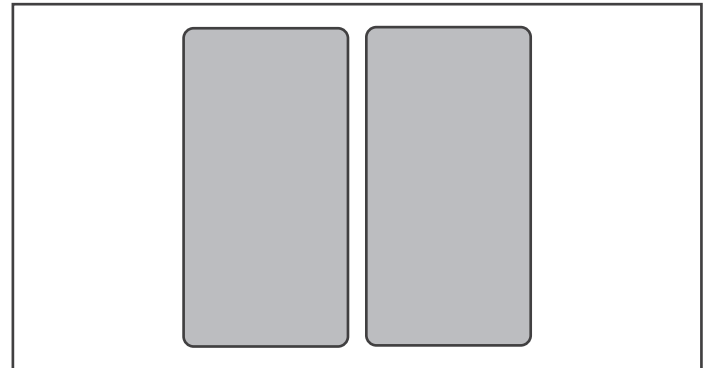
Position as needed.



FREESTANDING USING MULTIPLE HINGES, CONNECTED WITH CLIP-ON HINGES

STEP 1.

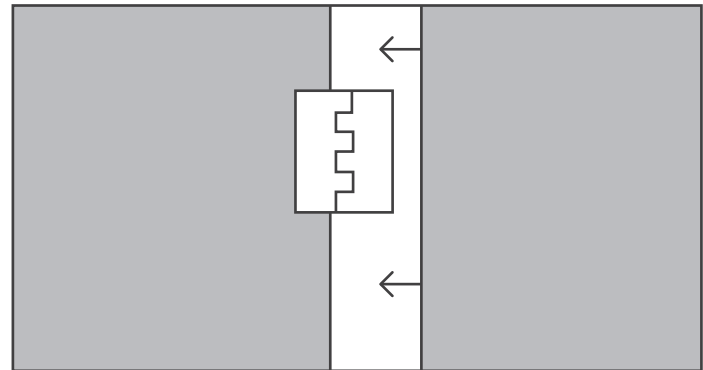
Lay two panels flat on the ground, side by side.



Includes: Panels & Hinges

STEP 2.

Slide one side of the clip-on hinges on a panel. Shimmy together the other panel on the other side of the hinges.



STEP 3.

Stand up the panels. Move the connection panels together to a 90-degree angle for best stability.

